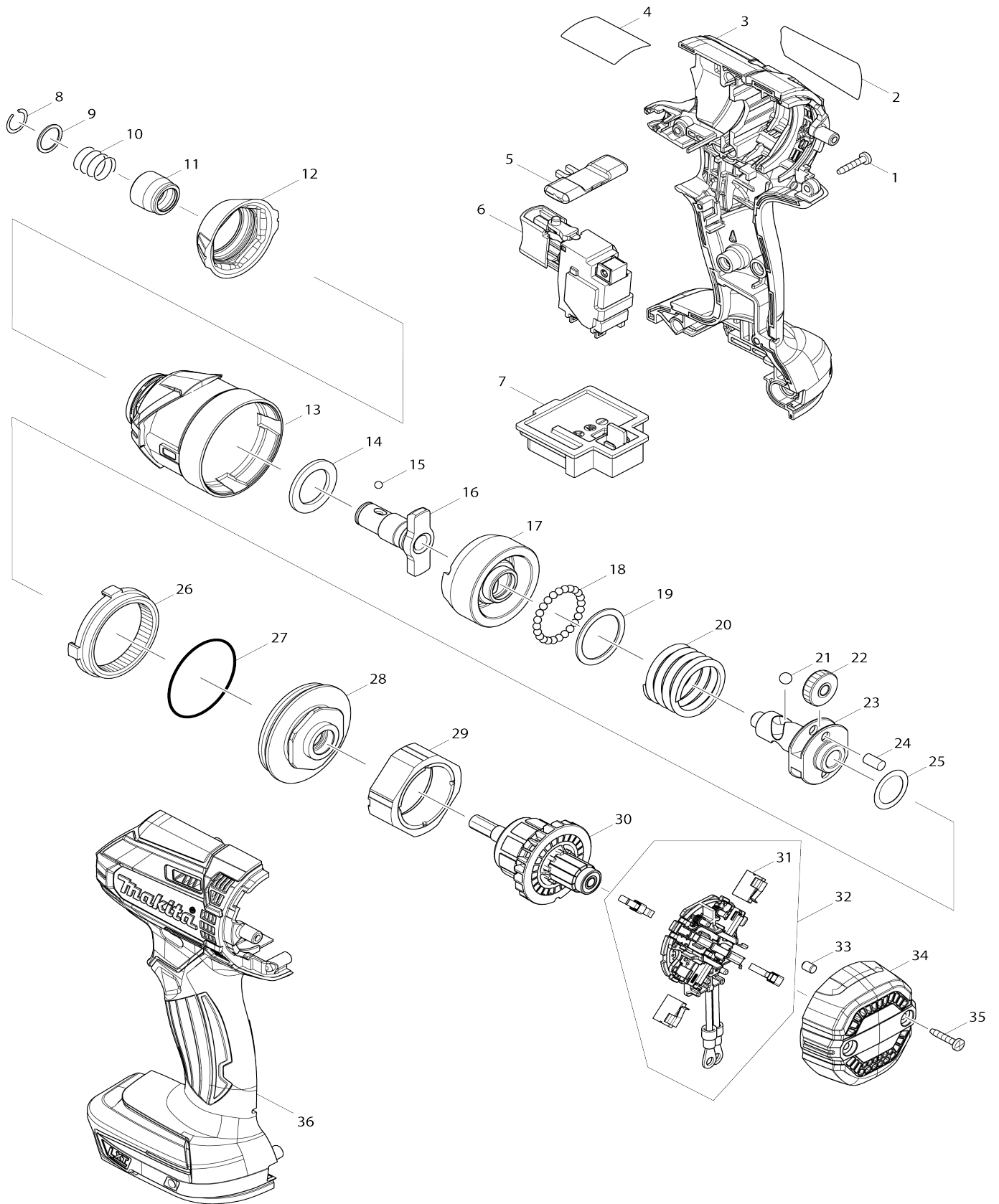


Model No.DTD152 CORDLESS IMPACT DRIVER

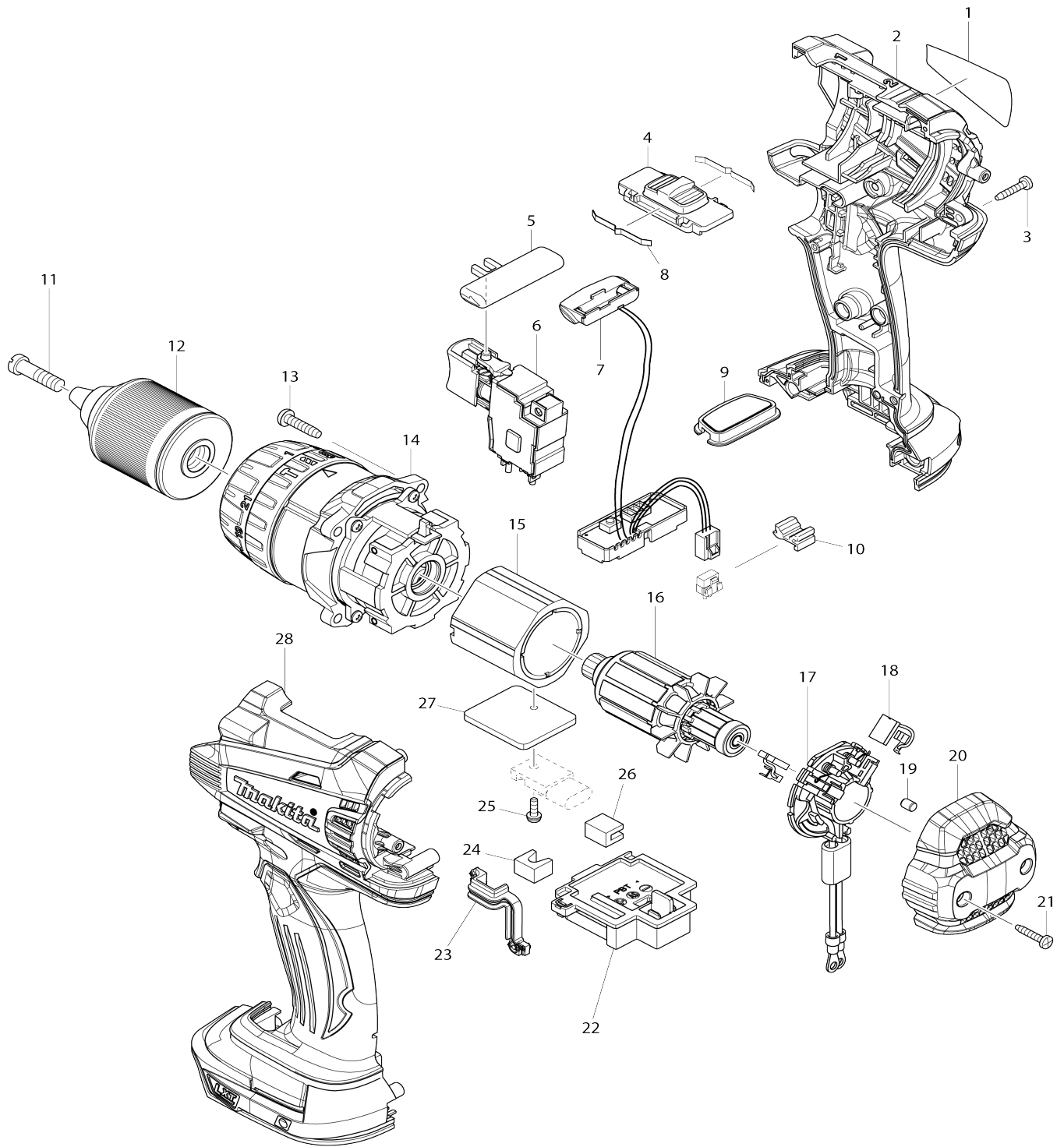


Model No.DTD152 CORDLESS IMPACT DRIVER

Item No.	Parts No.	Description
001	266429-2	TAPPING SCREW 3X16
001-1	266130-9	TAPPING SCREW BIND PT 3X16
002	851E29-7	DTD152 NAME PLATE
003	183B63-4	HOUSING SET
C10	263005-3	RUBBER PIN 6
003		INC. 36
005	455053-8	F/R CHANGE LEVER
006	632F26-6	SWITCH UNIT
C10	620445-2	LED CIRCUIT
C20	688164-6	LINE FILTER
007	643852-2	TERMINAL
008	231951-8	RING SPRING 11
009	267085-1	FLAT WASHER 12
010	233005-7	COMPRESSION SPRING 13
011	326072-0	BIT SLEEVE
012	424738-7	BUMPER
013	143299-5	HAMMER CASE COMPLETE
014	261151-6	NYLON WASHER 19
015	216040-0	STEEL BALL 3.5
016	326565-7	ANVIL M
017	326564-9	HAMMER
018	216040-0	STEEL BALL 3.5
019	267175-0	FLAT WASHER 24
020	234251-5	COMPRESSION SPRING 25
021	216041-8	STEEL BALL 5.6
022	227362-3	SPUR GEAR 22
023	326562-3	SPINDLE
024	256253-1	PIN 5
025	253314-8	THIN WASHER 15
026	227378-8	INTERNAL GEAR 51
027	213507-9	O RING 40
028	143298-7	BEARING BOX COMPLETE
029	638396-5	YOKE UNIT
029-1	632F93-1	YOKE UNIT
030	619377-8	ARMATURE
031	196854-2	CARBON BRUSH CB-448
031-1	196855-0	CARBON BRUSH CB-448
032	632F25-8	BRUSH HOLDER COMPLETE
C10	688172-7	LINE FILTER
C20	654037-5	INSULATED TERM. FT1.25-M3
032		INC. 31
033	263032-0	RUBBER PIN 4
034	456044-2	REAR COVER
035	266429-2	TAPPING SCREW 3X16
035-1	266130-9	TAPPING SCREW BIND PT 3X16
036	183B63-4	HOUSING SET
C10	263005-3	RUBBER PIN 6

036		INC. 3
A01	346317-0	HOOK
A01	346449-3	HOOK
A02	266622-8	+ TRUSS HEAD SCREW M4X12
A03	821550-0	CONNECTOR PLASTIC CASE (TYP E2)
C10	453974-8	LATCH
A03	141856-3	PLASTIC CARRYING CASE COMPLETE
C10	162302-3	LATCH
C20	324207-7	SHAFT
C30	451749-9	HANDLE
A04	450128-8	BATTERY COVER
A05	***DC18RC	DC18RC FAST CHARGER
A06	197265-4	BATTERY BL1840B SET
A06	197254-9	BATTERY BL1820B SET
A06-1	197265-4	BATTERY BL1840B SET
A06-1	197254-9	BATTERY BL1820B SET
A06-1	197600-6	BATTERY BL1830B SET
A06-2	197265-4	BATTERY BL1840B SET
A06-2	197600-6	BATTERY BL1830B SET
A07	837670-0	INNER TRAY
A07	837862-1	INNER TRAY
A07	807T12-2	DTD152RME PLASTIC CASE LABEL
A07	812U65-4	DTD152RFE3 PLASTIC CASE LABEL
A07	808W36-9	DTD152RFE PLASTIC CASE LABEL
A07-1	816M79-7	DTD152RME PLASTIC CASE LABEL
A07-1	816M89-4	DTD152RFE3 PLASTIC CASE LABEL
A07-1	816M87-8	DTD152RFE PLASTIC CASE LABEL
A08	808J38-7	DTD152RMJ INDICATION LABEL
A08	808J40-0	DTD152RAJ INDICATION LABEL
A08-1	816N02-8	DTD152RMJ INDICATION LABEL
A08-1	816N00-2	DTD152RAJ INDICATION LABEL
A09	808J39-5	DTD152RMJ PLASTIC CASE LABEL
A09	808J41-8	DTD152RAJ PLASTIC CASE LABEL
A09-1	816N03-6	DTD152RMJ PLASTIC CASE LABEL
A09-1	816N01-0	DTD152RAJ PLASTIC CASE LABEL
E01	654015-5	EARTH TERMINAL
E02	654501-6	CONNECTOR P-1.25
F02	194281-7	STOPPER SET (W/BITS)
F04	194649-7	BATTERY PROTECTOR
C10	251314-2	+ TRUSS HEAD SCREW M4X12
F05	194654-4	HOOK SET
C10	251314-2	+ TRUSS HEAD SCREW M4X12
C20	324705-1	HOOK

Model No.DHP458 CORDLESS HAMMER DRIVER DRILL



Model No.DHP458 CORDLESS HAMMER DRIVER DRILL

Item No.	Parts No.	Description
001	814Y76-9	DHP458 NAME PLATE
002	187430-3	HOUSING SET
C10	263005-3	RUBBER PIN 6
C20	252126-6	HEX. LOCK NUT M4-7
002		INC. 28
002	187930-3	HOUSING SET
003	266130-9	TAPPING SCREW BIND PT 3X16
004	126100-9	SPEED CHANGE LEVER ASSEMBLY
C10	233438-6	COMPRESSION SPRING 4
005	419250-0	F/R CHANGE LEVER
006	650724-4	SWITCH TG573FSB-3
006-1	650724-4	SWITCH TG573FSB-3
007	620138-1	LIGHT CIRCUIT
008	232220-0	LEAF SPRING
009	140963-9	SWITCH PLATE COMPLETE
010	424476-1	CUSHION
011	251468-5	- FLAT HEAD SCREW M6X22
012	766015-4	KEYLESS DRILL CHUCK 13
012-1	763248-2	KEYLESS DRILL CHUCK 13
012-2	763252-1	KEYLESS DRILL CHUCK 13
013	265995-6	TAPPING SCREW 4X18
013-1	266326-2	TAPPING SCREW 4X18
014-1	126448-9	GEAR ASSEMBLY
015	638989-8	YOKE UNIT
016	619301-1	ARMATURE
016-1	619496-0	ARMATURE
017	638991-1	BRUSH HOLDER COMPLETE
C10	688172-7	LINE FILTER
017-1	632K64-8	BRUSH HOLDER COMPLETE
C10	688172-7	LINE FILTER
018	194427-5	CARBON BRUSH SET CB-440
018-1	195021-6	CARBON BRUSH SET CB-440
019	263032-0	RUBBER PIN 4
020	453394-6	REAR COVER
020	455146-1	REAR COVER
021	266130-9	TAPPING SCREW BIND PT 3X16
022	644808-8	TERMINAL
023	424430-5	SEAL
024	423422-1	SPONGE A
025	911013-5	PAN HEAD SCREW M3X10
026	423423-9	SPONGE B
027	689176-2	HEAT SINK
028	187430-3	HOUSING SET
C10	263005-3	RUBBER PIN 6
C20	252126-6	HEX. LOCK NUT M4-7
028		INC. 2
028	187930-3	HOUSING SET

A01-1	123257-7	GRIP ASSEMBLY
C10	154935-8	GRIP 36 COMPLETE
C20	266899-5	SQUARE BOLT M8X140
C30	346566-9	GRIP SPRING 60
C40	455189-3	GRIP BASE 60
C50	265785-7	THUMB SCREW M5X10
C60	931202-6	HEX. NUT M5
A02	251314-2	+ TRUSS HEAD SCREW M4X12
A03	346317-0	HOOK
A04	452947-8	BIT HOLDER
A05	784637-8	+ - BIT 2-45
A06	122576-8	STOPPER POLE ASS'Y
A07	***DC18RC	DC18RC FAST CHARGER
A08-1	194204-5	BATTERY BL1830 SET
A08-1	197280-8	BATTERY BL1850B SET
A08-2	197600-6	BATTERY BL1830B SET
A08-2	197280-8	BATTERY BL1850B SET
A08-3	197600-6	BATTERY BL1830B SET
A09	450128-8	BATTERY COVER
A10	821550-0	CONNECTOR PLASTIC CASE (TYP E2)
C10	453974-8	LATCH
A10	821524-1	PLASTIC CARRYING CASE
C10	162302-3	LATCH
C20	325809-2	SHAFT
C30	451749-9	HANDLE
C40	453473-0	PLASTIC CASE LID
A11	802J59-1	DHP458RFE PLASTIC CASE LABEL
A11-1	837916-4	INNER TRAY
A12	802J33-9	DHP458RFJ INDICATION LABEL
A12	803R44-5	DHP458F3WJ INDICATION LABEL
A12	808W31-9	DHP458RTJ INDICATION LABEL
A12	802J48-6	DHP458RF3J INDICATION LABEL
A13	802J34-7	DHP458RFJ PLASTIC CASE LABEL
A13	803R45-3	DHP458F3WJ PLASTIC CASE LABEL
A13-1	808W07-6	DHP458RFJ PLASTIC CASE LABEL
A13-1	809S30-0	DHP458RTJ PLASTIC CASE LABEL
A13-1	808Y94-7	DHP458RF3J PLASTIC CASE LABEL
F05	195798-3	BATTERY PROTECTOR SET
F06-3	197606-4	BATTERY BL1830B SET (2PIECES)
F07-3	197267-0	BATTERY BL1840B SET
F08-3	197265-4	BATTERY BL1840B SET
F09-3	197273-5	BATTERY BL1840B SET(2PIECES)
F11-2	196235-0	BATTERY BL1815N SET
F12-1	196449-1	BATTERY BL1815N SET
F13-2	196449-1	BATTERY BL1815N SET